

# CATERING SINKS

## Catering sinks with straight edges – Comfort

The "Comfort" range is designed for smallscale catering sites as well as restaurants. Functional, this range is designed to offer an excellent quality/price ratio with a limited number of items.

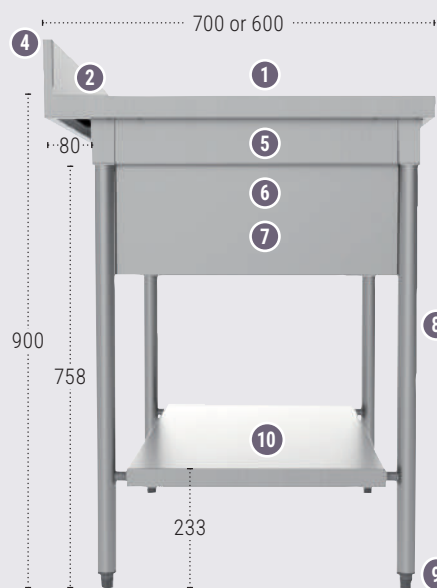


**SCAN ME**  
and download all the technical  
datasheets of the range!

- Work top in stainless steel with non-drip edges
- Drainer: grooved
- Supplied with plug, simple overflow pipe and PVC U bend
- Tap hole Ø 31 mm (optional : chromed cover)



- All stainless steel work top = increased longevity
- All stainless steel panel = cleanability and durability



- 1 Work top in stainless steel
- 2 Straight edges
- 3 **Straight edges dropped 40 mm.** Welded corners.
- 4 Flat backsplash (100 x l. 20 mm) rear not closed
- 5 All stainless steel panel
- 6 Sink: 500 x 500 x 300 mm / 500 x 400 x 300 mm
- 7 Sink cover in option
- 8 Tubular stainless steel legs, Ø 38 mm, collapsible
- 9 ABS feet adjustable up to 30 mm
- 10 Bottom shelf EG type (option)



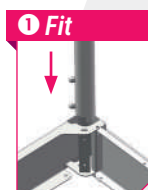
### turn'fix

**Tool-free mounting of the legs,  
easy and quick**



**SCAN ME**  
for the turn'fix  
video!

- 1 Easier
- 2 Quicker
- 3 More robust





## Catering sinks with sink cover width 600/700 mm

- Sink cover on 3 sides
  - On ABS adjustable feet
  - Optional full bottom shelf.
- Racks bottom shelf see page 80

**+** Sink cover mounted, legs dismantled



### With sink L 500 x W 400 x H 300 mm

WIDTH 600						
Designation	HEIGHT 900 mm L x W mm	SINK WITH SINK COVER		OPTIONAL SHELF supplied with sink		
		Kg	Ref.	Kg	Ref.	
1 bowl + right drainer	1200 x 600	31	<b>PNP112D</b>	6.5	<b>EG612</b>	
1 bowl + left drainer	1200 x 600	31	<b>PNP112G</b>	6.5	<b>EG612</b>	
2 bowls	1200 x 600	33	<b>PNP212</b>	6.5	<b>EG612</b>	
1 bowl + right drainer	1400 x 600	40	<b>PNP114D</b>	7.5	<b>EG614</b>	
1 bowl + left drainer	1400 x 600	40	<b>PNP114G</b>	7.5	<b>EG614</b>	
2 bowls + right drainer	1800 x 600	43	<b>PNP218D</b>	9.5	<b>EG618</b>	
2 bowls + left drainer	1800 x 600	43	<b>PNP218G</b>	9.5	<b>EG618</b>	

Shipping within 48h

### With sink L 500 x W 500 x H 300 mm

WIDTH 700						
Designation	HEIGHT 900 mm L x W mm	SINK WITH SINK COVER		OPTIONAL SHELF supplied with sink		
		Kg	Ref.	Kg	Ref.	
1 bowl	700 x 700	30	<b>PP107</b>	4	<b>EG707</b>	
1 bowl + right drainer	1200 x 700	33	<b>PP112D</b>	8	<b>EG712</b>	
1 bowl + left drainer	1200 x 700	33	<b>PP112G</b>	8	<b>EG712</b>	
2 bowls + right drainer	1600 x 700	40	<b>PP216D</b>	11	<b>EG716</b>	
2 bowls + left drainer	1600 x 700	40	<b>PP216G</b>	11	<b>EG716</b>	
2 bowls + right drainer	1800 x 700	46	<b>PP218D</b>	12.5	<b>EG718</b>	
2 bowls + left drainer	1800 x 700	46	<b>PP218G</b>	12.5	<b>EG718</b>	

Shipping within 48h

**OPTIONS**  
pages 80-81

**ACCESSORIES**  
page 82



## Catering sinks without sink cover width 600/700 mm

- Supplied collapsed
- On ABS adjustable feet

- Optional full bottom shelf.  
Racks bottom shelf see page 80

**+** Tool-free mounting of the legs



### With sink L 500 x W 400 x H 300 mm

WIDTH 600						
Designation	HEIGHT 900 mm L x W mm	SINK WITH SINK COVER		OPTIONAL SHELF supplied with sink		
		Kg	Ref.	Kg	Ref.	
1 bowl + right drainer	1200 x 600	21	<b>PN112D</b>	6.5	<b>EG612</b>	
1 bowl + left drainer	1200 x 600	21	<b>PN112G</b>	6.5	<b>EG612</b>	
2 bowls	1200 x 600	19	<b>PN212</b>	6.5	<b>EG612</b>	
1 bowl + right drainer	1400 x 600	22	<b>PN114D</b>	7.5	<b>EG614</b>	
1 bowl + left drainer	1400 x 600	22	<b>PN114G</b>	7.5	<b>EG614</b>	
2 bowls + right drainer	1800 x 600	29	<b>PN218D</b>	9.5	<b>EG618</b>	
2 bowls + left drainer	1800 x 600	29	<b>PN218G</b>	9.5	<b>EG618</b>	

Shipping within 48h

### With sink L 500 x W 500 x H 300 mm

WIDTH 700						
Designation	HEIGHT 900 mm L x W mm	SINK WITH SINK COVER		OPTIONAL SHELF supplied with sink		
		Kg	Ref.	Kg	Ref.	
1 bowl	700 x 700	13	<b>P107</b>	4	<b>EG707</b>	
1 bowl + right drainer	1200 x 700	23	<b>P112D</b>	8	<b>EG712</b>	
1 bowl + left drainer	1200 x 700	23	<b>P112G</b>	8	<b>EG712</b>	
2 bowls + right drainer	1600 x 700	29	<b>P216D</b>	11	<b>EG716</b>	
2 bowls + left drainer	1600 x 700	29	<b>P216G</b>	11	<b>EG716</b>	
2 bowls + right drainer	1800 x 700	32	<b>P218D</b>	12.5	<b>EG718</b>	
2 bowls + left drainer	1800 x 700	32	<b>P218G</b>	12.5	<b>EG718</b>	

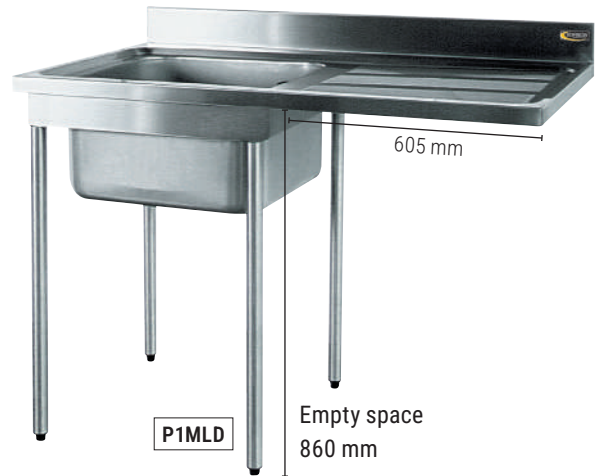
Shipping within 48h

**OPTIONS**  
pages 80-81

**ACCESSORIES**  
page 82

## Special dishwasher sink

- For dishwashers (600 x 600 x 860 mm)
- Same as sinks page 64, with empty space under drainer
- Optional shelf: only under sink



### WIDTH 700

Designation	HEIGHT 900 mm L x W mm	SINK WITHOUT SINK COVER		SINK WITH SINK COVER		OPTIONAL SHELF supplied with sink	
		Kg	Ref.	Kg	Ref.	Kg	Ref.
1 bowl + right drainer	1200 x 700	21.5	<b>P1MLD</b>	26	<b>PP1MLD</b>	4	<b>EG712ML</b>
1 bowl + left drainer	1200 x 700	21.5	<b>P1MLG</b>	26	<b>PP1MLG</b>	4	<b>EG712ML</b>
2 bowls + right drainer	1800 x 700	31	<b>P2MLD</b>	39	<b>PP2MLD</b>	8	<b>EG718ML</b>
2 bowls + left drainer	1800 x 700	31	<b>P2MLG</b>	39	<b>PP2MLG</b>	8	<b>EG718ML</b>

Shipping within 48h

## Pastry sink



- Entirely in stainless steel, 1.5 mm thickness
- Acute angles
- Sink dimensions: L 780 x W 480 x H 400 mm
- Supplied with plug and overflow pipe
- Tap hole Ø 31 mm
- Rear backsplash H 60 mm

**+** Ideally for pastry plates 600x400 and mixer bowls

Designation	L x D x H mm	Kg without shelf	Ref.
Sink	850 x 600 x 850	27	<b>PLS</b>
Single removable drainer	600 x 600	4	<b>PLSES</b>
Drainer with shelf	600 x 600 x 850	10	<b>PLSEE</b>

**OPTIONS**  
pages 80-81



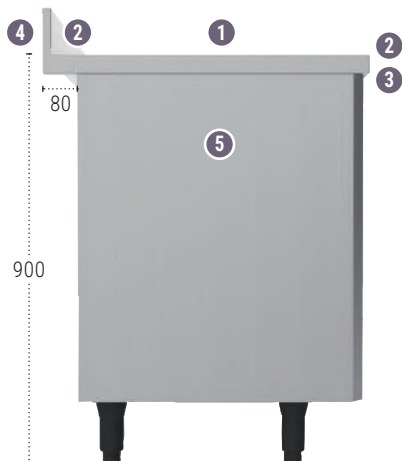
**ACCESSORIES**  
page 82





## Sink units width 600 and 700 mm

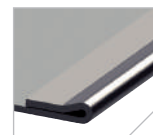
- Work top in stainless steel with non-drip edges and back splash 100 x 20 mm
- On ABS feet
- Drainer: grooved
- Half-sized back to insert pipework
- 2 hanging sliding doors
- **With lock**
- Supplied with plug, simple overflow pipe and PVC U bend
- Tap hole Ø 31 mm
- Without shelf



- 1 Work top in stainless steel
- 2 Straight edges
- 3 **Straight edges dropped 40 mm.** Welded corners.
- 4 Flat back splash 100 x 20 mm rear not closed
- 5 All stainless steel
- 6 Black composite feet H 155 mm adjustable up to 70 mm



**Ergonomics:** Cut sections to strengthen the side walls (registered design)  
**Safety:** crush folds



### With sink L 500 x W 400 x H 300 mm



WIDTH 600				
	Designation	L x D x H mm	Kg	Ref.
	1 bowl + right drainer	1200 x 600 x 900	41	<b>MPN112D</b>
	1 bowl + left drainer	1200 x 600 x 900	41	<b>MPN112G</b>
	2 bowls	1200 x 600 x 900	43	<b>MPN212</b>
	1 bowl + right drainer	1400 x 600 x 900	46	<b>MPN114D</b>
	1 bowl + left drainer	1400 x 600 x 900	46	<b>MPN114G</b>
	2 bowls + right drainer	1800 x 600 x 900	56	<b>MPN218D</b>
	2 bowls + left drainer	1800 x 600 x 900	56	<b>MPN218G</b>

### Avec bac de L 500 x L 500 x P 300 mm



WIDTH 700				
	Designation	L x W x H mm	Kg	Ref.
	1 bowl + right drainer	1200 x 700 x 900	45	<b>MP112D</b>
	1 bowl + left drainer	1200 x 700 x 900	45	<b>MP112G</b>
	2 bowls + right drainer	1600 x 700 x 900	61	<b>MP216D</b>
	2 bowls + left drainer	1600 x 700 x 900	61	<b>MP216G</b>
	2 bowls + right drainer	1800 x 700 x 900	68	<b>MP218D</b>
	2 bowls + left drainer	1800 x 700 x 900	68	<b>MP218G</b>

**Shipping within 48h**

OPTION for sink units	Ref.
4 stainless steel feet - Add X to the end of the reference	<b>...X</b>
4 stainless steel castors - Add X to the end of the reference, <b>only on sink units width 700 mm</b>	<b>.../RX</b>

**ACCESSORIES**  
page 82



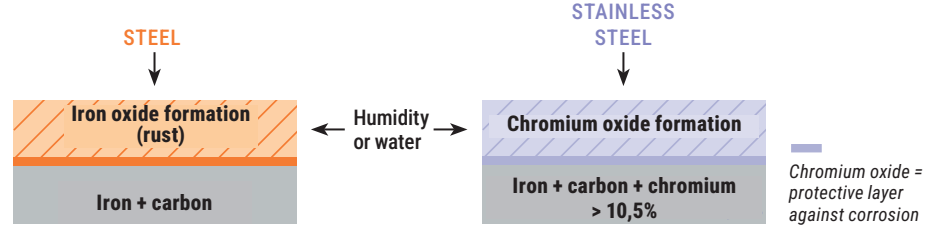
# Stainless steel, the material of chefs

## The specificity of stainless steel

When exposed to moisture in the air or water, steel rusts, unlike stainless steel, which contains chromium.

With the exception of precious metals such as gold or platinum, all metals are extracted from ore. Over time, they therefore tend to return to their original state, i.e. oxides.

Passive film = protective layer



Because steel does not contain chromium, on contact with moist air or water, an iron oxide called rust is formed on the surface.

Conversely, because it contains chromium, a protective layer of chromium oxide called a passive film forms naturally on the surface of stainless steel, protecting it from corrosion.



Around the world, the vast majority of professional kitchen equipment is made of stainless steel, an ideal material due to its many properties.

- Food
- Hygienic
- Heat resistant
- Shock resistant
- Aesthetics
- Cleanable
- Corrosion resistant
- Sustainable



## How to extend the life of your stainless steel equipment?

Regular maintenance helps to preserve the original appearance of stainless steel and ensure its resistance to corrosion.

### ✓ Maintenance

- Clean and rinse regularly with WATER
- Dry after use
- **Use suitable products:** water and mild soap, a soft sponge or cloth, white vinegar, a cleaner specifically formulated for stainless steel
- Use plastic or wooden utensils to avoid damaging surfaces

### ✗ Caution!

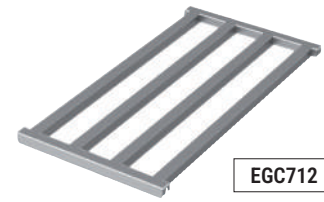
- Do not use ABRASIVE products such as sponges or metal brushes
- Do not use concentrated and/or hot bleach or chlorine
- Do not allow acidic liquids to remain in contact with stainless steel
- Do not use wax or polishing agents
- Do not use sharp objects or hard metal objects



## Options for straight edges and rounded edge catering sinks

### Racks bottom shelf

- All stainless steel
- 35 x 35 mm square tube



	WIDTH 600 mm		WIDTH 700 mm	
	FOR STRAIGHT EDGES CATERING SINKS		FOR STRAIGHT EDGES AND ROUNDED EDGE CATERING SINKS	
For catering sink length mm	Kg	Ref.	Kg	Ref.
1000	5.2	EGC610	7	EGC710
1200	6	EGC612	8.2	EGC712
1400	6.5	EGC614	9.4	EGC714
1500	7	EGC615	10	EGC715
1600	7.4	EGC616	10.7	EGC716
1800	8	EGC618	12	EGC718
2000	9	EGC620	13.2	EGC720
2200	9.5	EGC622	14.5	EGC722

### Other options

Std : standard,  
CM : customized

		FOR CATERING SINKS WITH			
		STRAIGHT EDGES	ROUNDED EDGE		Ref.
Designation		Std	Std	CM	
<b>Legs / feet &amp; castors</b>					
4 stainless steel feet - Add X to the end of the reference		✓	✓	✓	.../X
4 stainless steel castors Ø 125 mm (2 with brake) - Add RX to the end of the reference		✓	✓	✓	.../RX
4 stainless steel feet for sink unit - Add X to the end of the reference		Sink unit	Sink unit	Sink unit	.../X
4 stainless steel castors for sink unit width 700 mm only, Ø 125 mm (2 with brake) - Add RX to the end of the reference		Sink unit	Sink unit	Sink unit	.../RX
4 polyamid castors Ø 125 mm (2 with brake) - Add RP to the end of the reference		✓	✓	✓	.../RP
Semi-mobile option	2 castors polyamid cover without brake and 2 stainless adjustable legs in front - Add SMP to the end of the ref.	✓	✓	✓	.../SMP
	2 castors stainless cover without brake and 2 stainless adjustable legs in front - Add SMX to the end of the ref.	✓	✓	✓	.../SMX
<b>Special height legs</b> For tray height 1050 mm maximum (otherwise consult us). Specify the desired height of the material when ordering		✓	✓		SPHT
2 hanging consoles (extra cost to add to the price of customized catering sinks on 4 ABS adjustable legs) Price is x1,5 for length upper than 2200 mm (3 consoles)				✓	TOP16
2 semi-hanging consoles (extra cost to add to the price of customized catering sinks on 4 ABS adjustable legs) Price is x1,5 for length upper than 2200 mm (3 consoles)				✓	TOP17



# Options for straight edges and rounded edge catering sinks

Std : standard,  
CM : customized

FOR CATERING SINKS WITH

Designation	STRAIGHT EDGES		ROUNDED EDGE		Ref.
	Std		Std	CM	
<b>Structure &amp; reinforcement</b>					
Lateral and longitudinal bottom crosspieces (U or H shape: please notify on the order). <i>Non available on suspended or semi-suspended sinks</i>			✓	✓	TRAV
4 feet welded on the side strips <i>For tables with 6 feet, prices x 1,5</i>			✓	✓	SPSOUD
<b>Panels</b>					
Stainless steel panels (3 faces) for standard suspended and semi-suspended sinks			✓		TOP15
Stainless steel panels (3 faces)				✓	POPT04
Knee operated: for sinks with sink cover from length 1200 mm - Delivered with front panel with pre-mixer, swan neck and push tap	✓		✓	✓	CEAUV
<b>Backsplashes</b>					
Rear backsplash closure		✓	✓	✓	TFD
Side raised backsplash: Welded and siliconed, rear not closed	For sinks width 600 mm	On the right	✓		TTDR610D
		On the left	✓		TTDR610G
	For sinks width 700 mm	On the right	✓		TTDR710D
		On the left	✓		TTDR710G
Side raised backsplash: Welded and siliconed, rear not closed	For sinks width 700 mm	On the right		✓	TTDR710AD
		On the left		✓	TTDR710AG
Rear backsplash height 300 mm (per lm)				✓	POPT14
Manufactured side backsplash 100x20 mm integrated to the top Possibility of adding 2 side sheet metal backsplashes up to 2700 mm. <i>Warning, only 1 side sheet metal backsplash from 2701 to 2800 mm max.</i>				✓	CONSULT US
<b>finishing &amp; worktop</b>					
Vibrated polishing (in circles) (per lm)				✓	TOP10
Smooth drainer				✓	POPT17
Drainer with 2 mm thickness instead of 1.5 mm (per lm)				✓	CONSULT US
Dry zone for waste discharge hole (without TVO - option TTVDC to add with TVO)				✓	CONSULT US
Interior fittings for sink unit - bottom shelf + partition			Sink unit		POPT16



TOP16



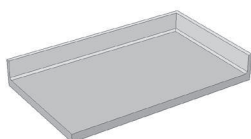
TOP17



CEAUV



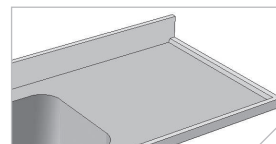
TTRD710AD



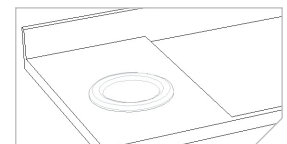
Side raised backsplash



TOP10



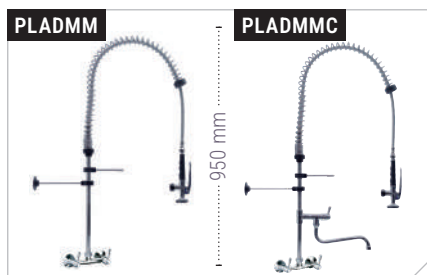
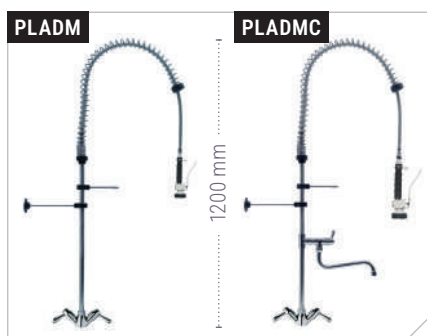
POPT17



Dry zone for TVD



## Accessories for standard and customized catering sinks



Designation	Ref.
-------------	------

### Faucet to fix on sink

#### Mixer spray-heads to fix on sink Height 1200 mm

Fixed to the table + wall fixing bracket - Stainless steel AISI 304L - Mixer with non-return valves according to European standard EN13959 - Safety spring - Flexible I. 1200 mm in AISI 304L stainless steel braid + EPDM standard, nd 12.5 - Flow rate in liters per minute for a pressure of 3/4 bars: 17 l/min - Total height: 1200 mm - Ergonomic grips with turn valve head - HW/CW taps with high-quality ceramic head - Spray head in stainless steel interior according to European standards CE, ROHS and ACS

Without drawing tap	<b>PLADM</b>
With drawing tap with swivel telescopic spout	<b>PLADMC</b>

#### Mixer spray-heads « Mignon » model Height 700 mm

Ideal to go under the wall cabinets

Without drawing tap	<b>PLADMGNON</b>
With drawing tap with swivel telescopic spout	<b>PLADMCGNON</b>

1/4 turn tap: Single hole with swan's neck	<b>PLARQT1</b>
--	----------------

Mixer tap: Single hole	<b>PLAROBIML</b>
------------------------	------------------

### Wall faucet

#### Wall mixer spray-heads

Idem PLADMC except : wall fixation, height 950 mm

Without drawing tap	<b>PLADMM</b>
With drawing tap with swivel telescopic spout	<b>PLADMMC</b>

#### Wall mixer taps

Twin-hole - 1/4 turn - Wall fixation - Spout length 250 mm

Swivel spout from below	<b>PLARMQT2</b>
Swivel spout from above	<b>PLARMQT3</b>

Chromed cover: For the tap hole	<b>CT50</b>
---------------------------------	-------------

### U bends

PVC	<b>PLASIPHPL</b>
Chromed brass	<b>PLASIPHLA</b>

Plug	PVC	Brass*
<b>Perforated overflow pipe:</b> Makes catching waste easier and prevents the risk of the U bend getting blocked	H180 mm	<b>POPTUB18</b>
	H230 mm	<b>POPTUB23</b>
	H280 mm	<b>POPTUB28</b>
	H350 mm	<b>POPTUB35</b>
	H430 mm	<b>POPTUB43</b>

### Perforated plate for tank bottom heights:

Compatible only with Sofinor catering sinks - With tube hole for overflow - Specify when ordering the position of the drain - If separate order of the plunge, provide the tank rays

For sink 500x400, 500x500 and 600x 500 - Height 100 mm	<b>POGDH</b>
For sink 800x500 and 800x600 - Height 150 mm	<b>POGDHQ</b>

### Straight sink exhaust pipe without tap\*\*:

Tubular 42,4 mm without valve - Non available on sink with integral bottom shelf

Simple	<b>PLAVISV*</b>
Double Y	<b>PLAVIDSV*</b>

### Straight sink exhaust pipe with tap (s)\*\*:

With 1/4 40 x 49 female turn(s) and AISI 304L stainless steel outlet pipe(s) (distance from floor about 80 mm depending on) Non available on sink with integral bottom shelf

Simple	<b>PLAVI*</b>
Double Y	<b>PLAVID*</b>

Shipping within 48h

\*Brass plug required when ordering PLAVI, PLAVID, PLAVISV, PLAVIDSV  
\*\*For the price of offset or angled drains, please consult us